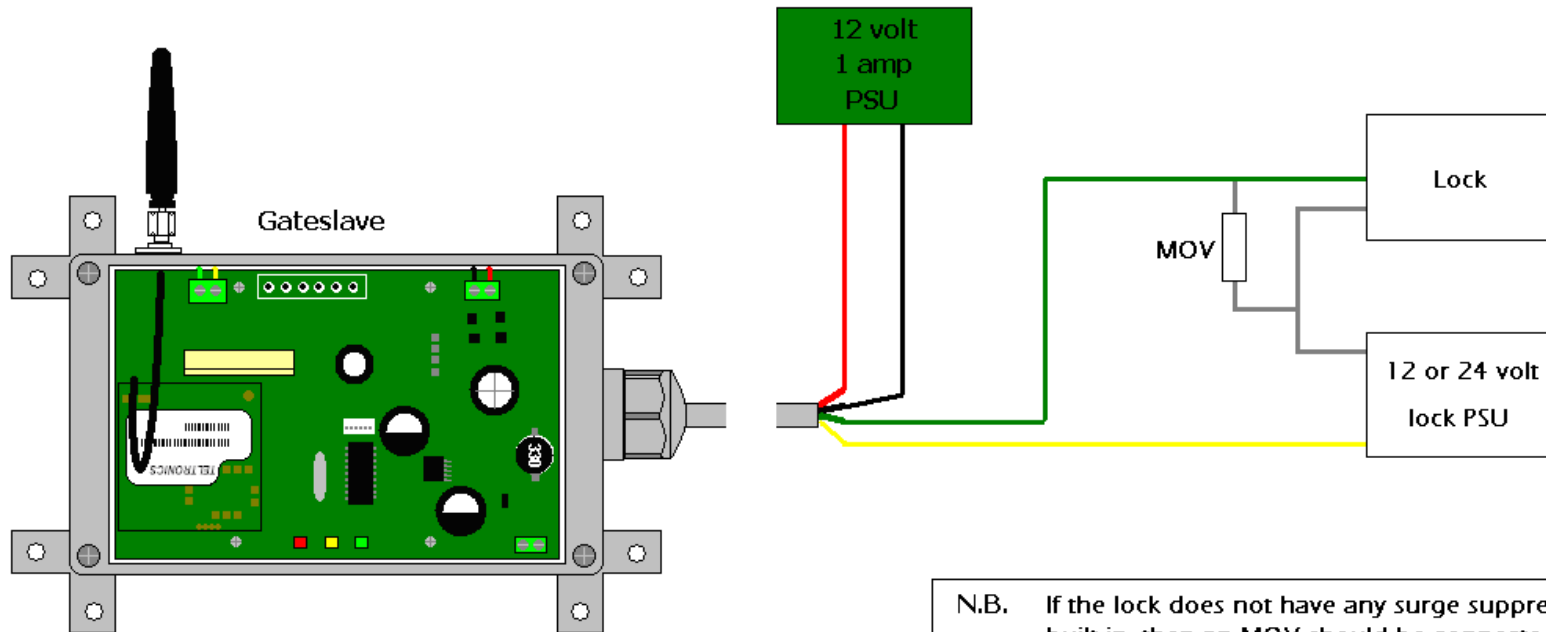


Connecting Gateslave to a Power rim or strike lock



N.B. If the lock does not have any surge suppression built in, then an MOV should be connected as close to the lock terminals as possible. Suggested part numbers for 12 volt systems would be MOV/P7284 (Digi-Key) or ERZ-V05D270 (Panasonic). For 24 volt systems, part numbers would be MOV/P7286-ND (Digi-Key) or ERZ-V05D390 (Panasonic). Or use a recommended MOV from the lock manufacturer or your supplier.